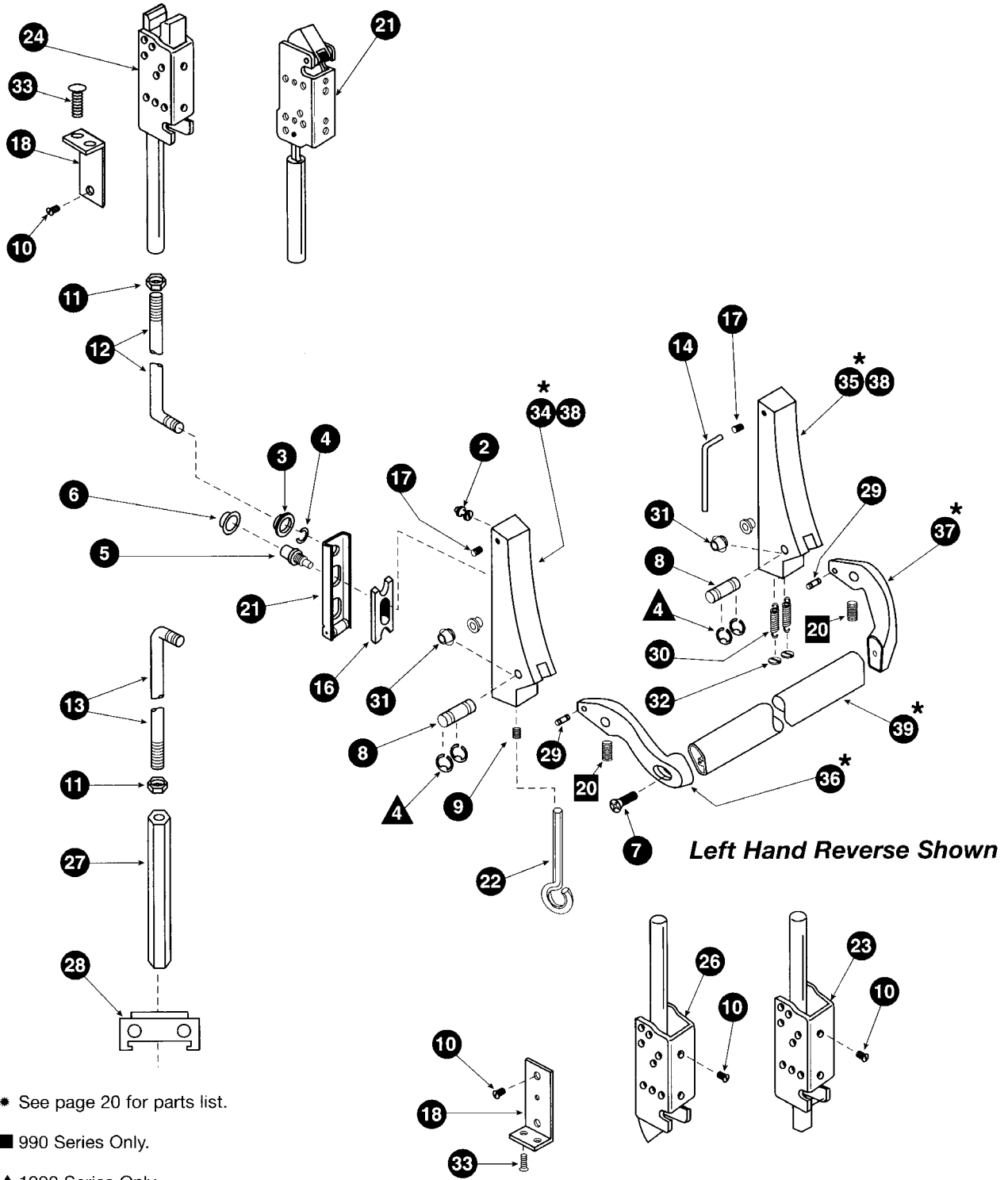


DOR-O-MATIC 1990

ROBERT BROOKE AND ASSOCIATES



P.O. BOX 2010, BIRMINGHAM, MI 48012-2010
 CALL: 1-800-642-2403 FAX: 1-800-642-2406 ASK FOR: GREG

DOR-O-MATIC 1990
ROBERT BROOKE AND ASSOCIATES

Item #	Part #	Description	Price
34-35	G199001	Housing Assy-Includes Arm	\$105.00
2	G199002	Stud	\$3.00
3	G199003	Bearing	\$2.25
4	G199004	E ring	\$1.00
5	G199005	Pinion	\$9.00
30	G199009	Spring	\$3.00
10	G199010	Allen Wrench	\$1.00
29	G199011	Pin-Spring	\$1.00
7	G199012	Screw	\$2.60
8	G199013	Pivot Pin	\$9.00
9	G199014	Set Screw	\$3.20
36	G199015	Lever	\$55.00
10	G199017	Screw	\$1.50
11	G199023	Jam Nut	\$1.50
12	G199024	Rod	\$23.00
24	G199025	Top Rod Latch	\$69.00
21	G199028	Traveler Assy	\$12.00
18	G199029	Bracket	\$16.00
18	G199030	Bracket	\$16.00
33	G199031	Screw	\$1.00
16	G199035	Retractor	\$4.00
17	G199038	Set Screw	\$1.00
39	G199039	Crossbar	\$82.00
37	G199040	Lever	\$55.00
41	G199041	Dogging Key	\$3.50
22	G199043	Bearing	\$1.00
4	G199044	E ring	\$1.00
32	G199045	Spring Retainer	\$1.00
6	G199046	Bushing	\$3.00
23	G1990129	Rod Latch	\$55.00
26	G1990132	Pullman Latch	\$55.00
27	G1990133	Hex bottom Latch	\$13.00
28	G199134	Rod Guide	\$3.50

P.O. BOX 2010, BIRMINGHAM, MI 48012-2010
CALL: 1-800-642-2403 FAX: 1-800-642-2406 ASK FOR: GREG