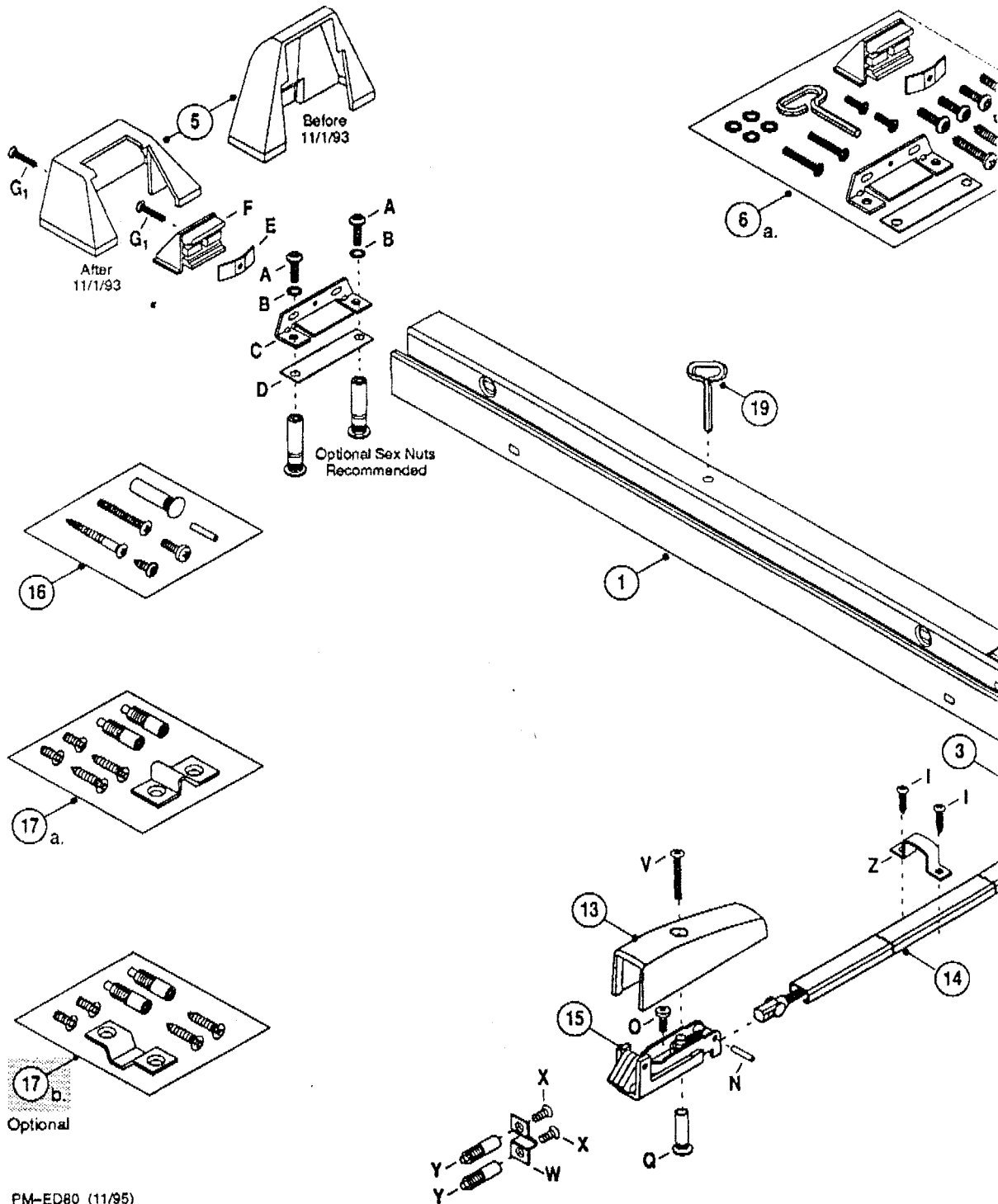


CORBIN RUSSWIN TYPE 20 VERTICAL ROD

ROBERT BROOKE & ASSOCIATES



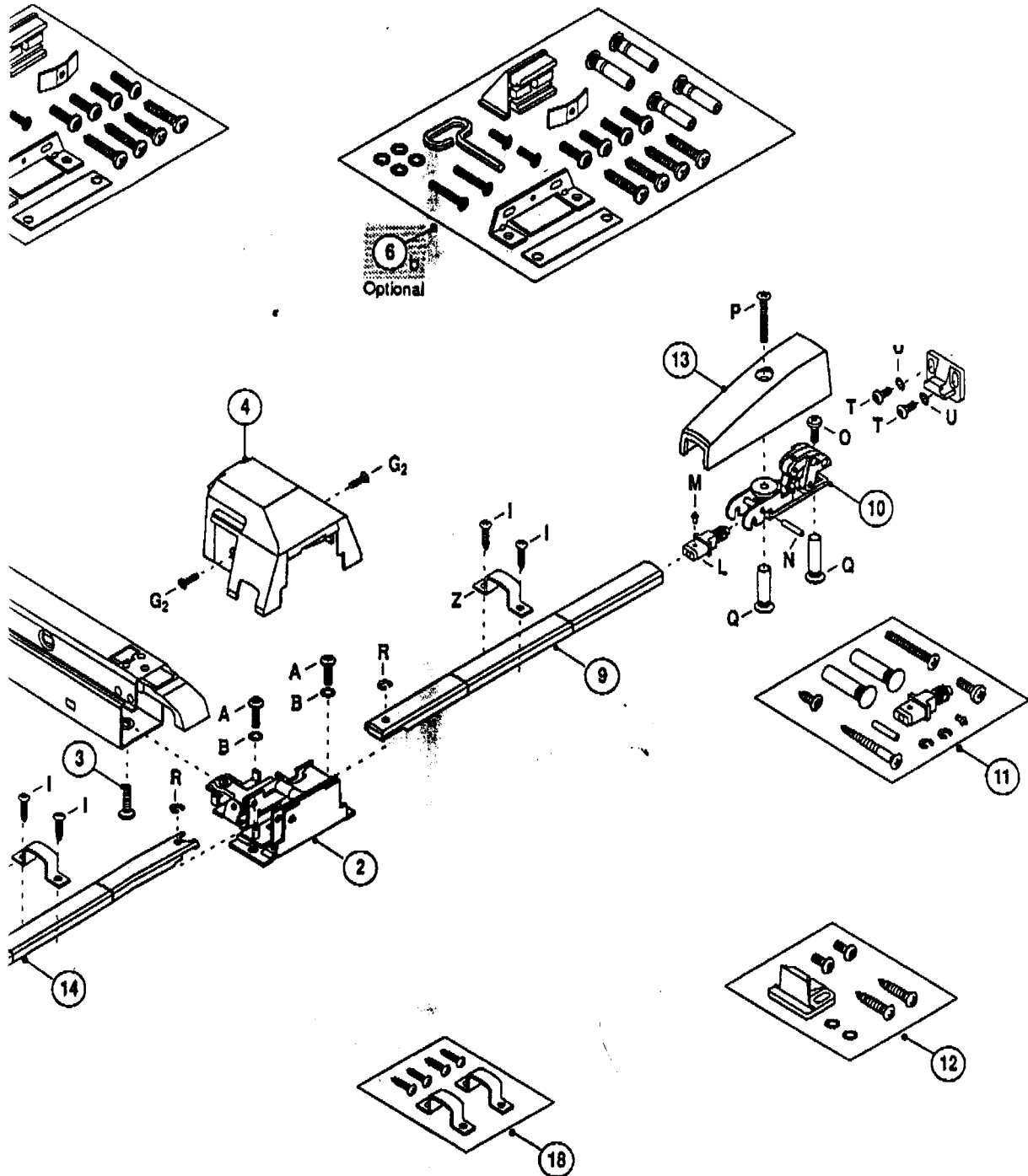
PM-ED80 (11/95)

09-23-95 02:04 PM

CALL: 1-800-642-2403 FAX: 1-800-642-2406 ASK FOR: GREG

CORBIN RUSSWIN TYPE 20 VERTICAL ROD

ROBERT BROOKE & ASSOCIATES



09-23-96 02:04 PM P07

CALL: 1-800-642-2403 FAX: 1-800-642-2406 ASK FOR: GREG

CORBIN RUSSWIN TYPE 20 VERTICAL ROD
ROBERT BROOKE & ASSOCIATES

ITEM #	PART #	SPECIFY	DESCRIPTION
1	G436F41	FIN	30" BAR WITH DOGGING
	G436F42	FIN	36" BAR WITH DOGGING
	G438F43	FIN	42" BAR WITH DOGGING
	G436F44	FIN	48" BAR WITH DOGGING
	G564F88	FIN	30" BAR W/O DOGGING
	G564F89	FIN	36" BAR W/O DOGGING
	G564F90	FIN	42" BAR W/O DOGGING
	G564F91	FIN	48" BAR W/O DOGGING
2	G552F59	FIN	RHR VERTICAL ROD FRAME PLATE
	G552F60	FIN	LHR VERTICAL ROD FRAME PLATE
3	G382F89		FRAME PLATE ATTACHMENT SCREW
4	G436F06	FIN	FRONT HEAD COVER
5	G603F64	FIN	REAR COVER (FOR DEVICES AFTER 11-1-93)
	G385F55	FIN	**REAR COVER (FOR DEVICES BEFORE 11-1-93)**
6A	G449F82	FIN	SCREW PACKET
6B	G52303	FIN	SCREW PACKET
9	G487L048697	FIN	TOP ROD
10	G436F258		TOP LATCH
11	G484F208	FIN	SCREW PACKET
12	G446F21M	FIN	TOP STRIKE
13	G446F231	FIN	LATCH COVER
14	G436L328557	FIN	BOTTOM VERTICAL ROD
15	G436F298		BOTTOM LATCH
16	G484F218		SCREW PACKET
17A	G446F228		BOTTOM STRIKE
17B	G463F928	FIN	BOTTOM STIKE
18	G446F208	FIN	ROD GUIDE
19	G123F53-8		DOGGING KEY 3/16"

CALL: 1-800-642-2403 FAX: 1-800-642-2406 ASK FOR: GREG