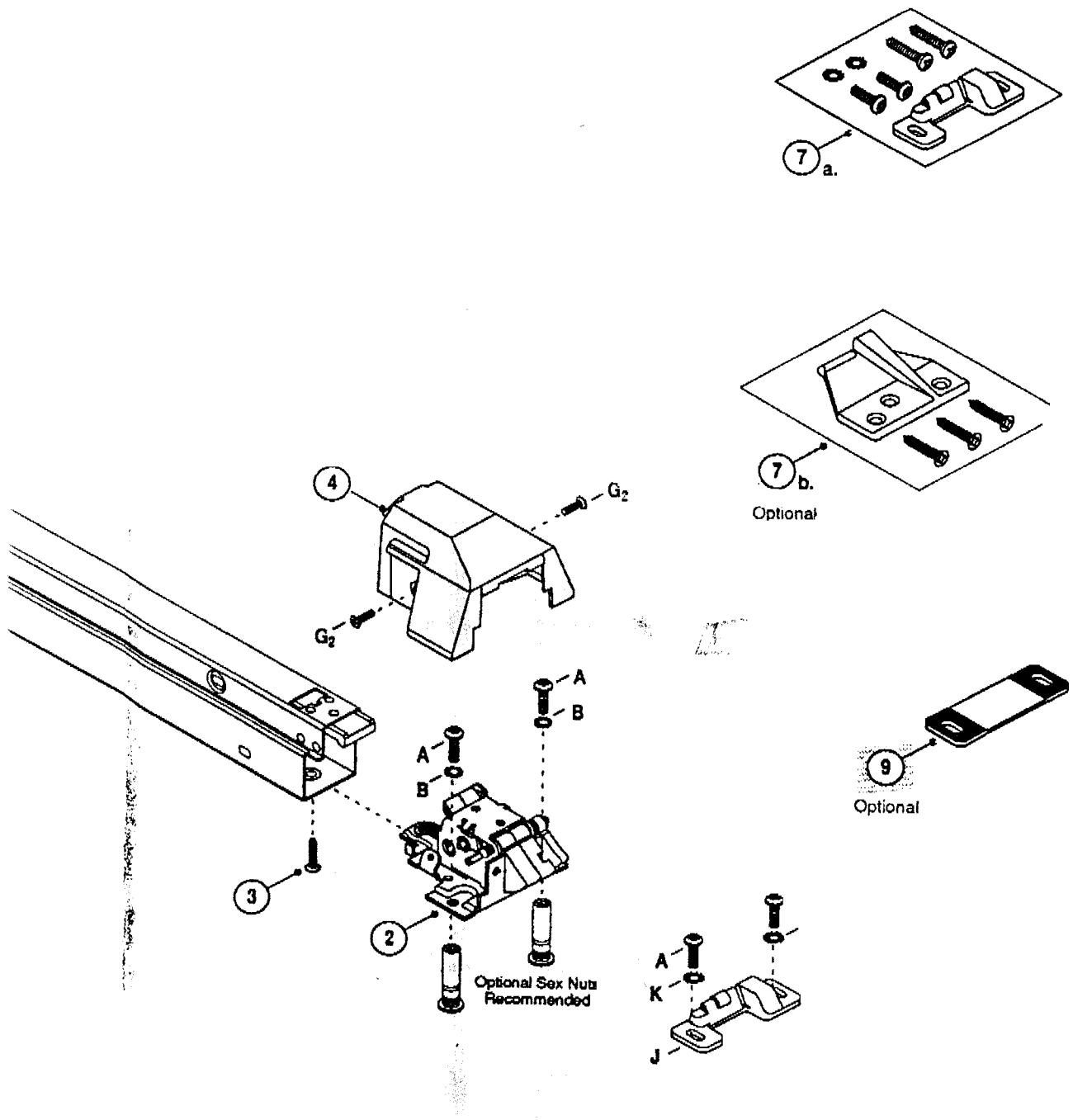


# CORBIN RUSSWIN 29 SERIES EXIT DEVICE

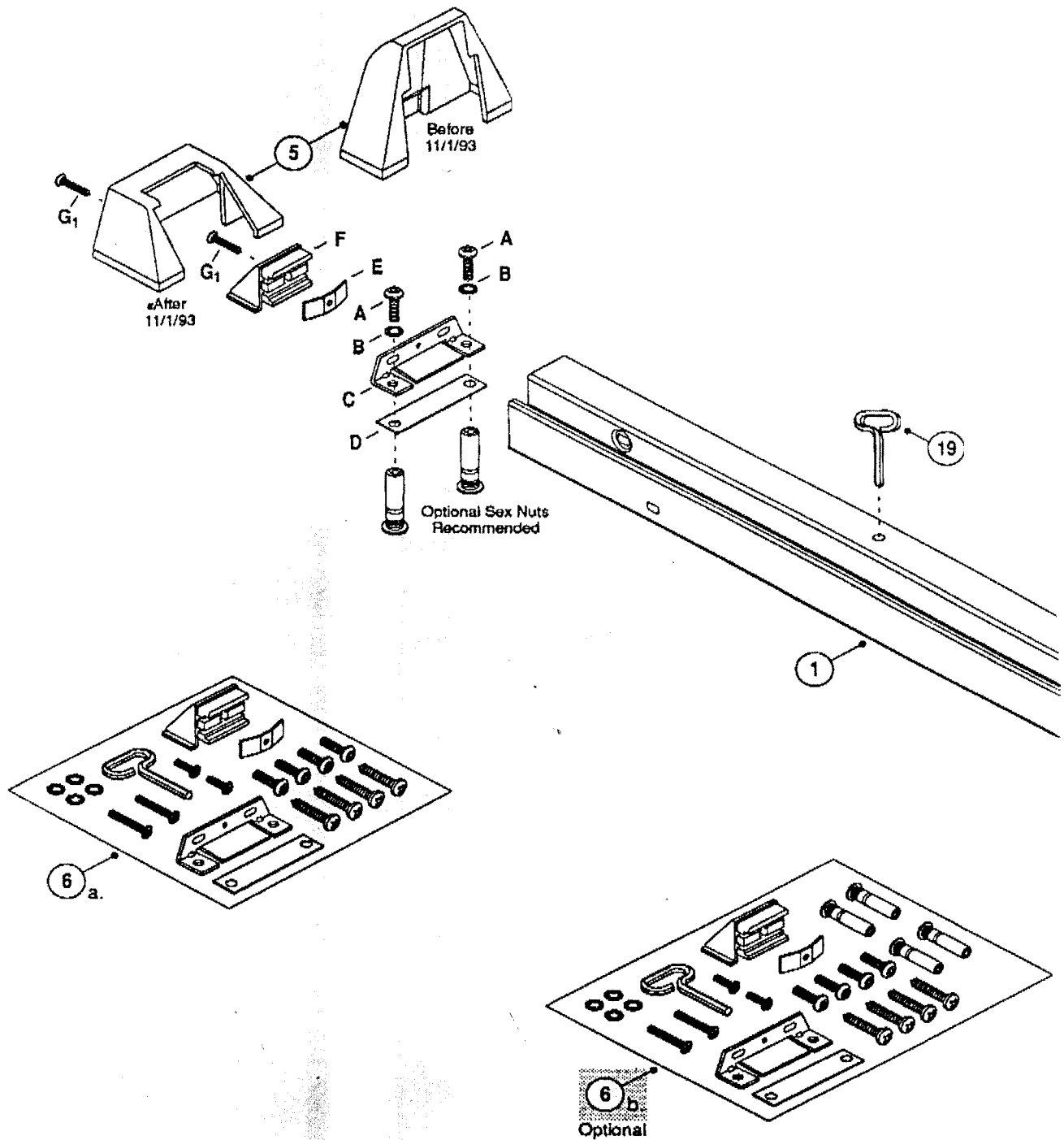
ROBERT BROOKE AND ASSOCIATES



585 S. ETON RD., P.O. BOX 2010, BIRMINGHAM, MI, 48012-2010  
CALL: 1-800-642-2403 FAX: 1-800-642-2406 ASK FOR: GREG

# CORBIN RUSSWIN 29 SERIES EXIT DEVICE

ROBERT BROOKE AND ASSOCIATES



585 S. ETON RD., P.O. BOX 2010, BIRMINGHAM, MI, 48012-2010  
CALL: 1-800-642-2403 FAX: 1-800-642-2406 ASK FOR: GREG

**CORBIN RUSSWIN 29 SERIES EXIT DEVICE**  
**ROBERT BROOKE AND ASSOCIATES**

<b>ITEM</b>	<b>PART #</b>	<b>SPECIFY</b>	<b>DESCRIPTION</b>
1			<b>BAR WITH DOGGING:</b>
	G387F21	FIN	-FOR 30" DOOR WIDTH
	G387F24	FIN	-FOR 36" DOOR WIDTH
	G387F27	FIN	-FOR 42" DOOR WIDTH
	G387F30	FIN	-FOR 48" DOOR WIDTH
			<b>BAR LESS DOGGING:</b>
	G387F63	FIN	-FOR 30" DOOR WIDTH
	G387F66	FIN	-FOR 36" DOOR WIDTH
	G387F69	FIN	-FOR 42" DOOR WIDTH
	G387F72	FIN	-FOR 48" DOOR WIDTH
2	G552F36		LATCH FOR 29EO
	G552F37		LATCH FOR 29EO (NO DOGGING)
3	G261F30		LATCH ATTACHMENT SCREW
4	G385F54	FIN	FRONT COVER
5	G603F64	FIN	REAR COVER (FOR MODELS AFTER 11-1-93)
	G385F55	FIN	** REAR COVER (FOR MODELS BEFORE 11-1-93) **
6A	G449F82	FIN	SCREW PACKET
6B	G523F03	FIN	SCREW PACKET
7A	G386F45	FIN	STRIKE PACKET
7B	G468F30	FIN	STRIKE PACKET
8	G391F57	FIN	SHIM
19	G123F53		3/16" DOGGING KEY

\*\* NOT AVAILABLE\*\*

**585 S. ETON RD., P.O. BOX 2010, BIRMINGHAM, MI, 48012-2010**  
**CALL: 1-800-642-2403 FAX: 1-800-642-2406 ASK FOR: GREG**