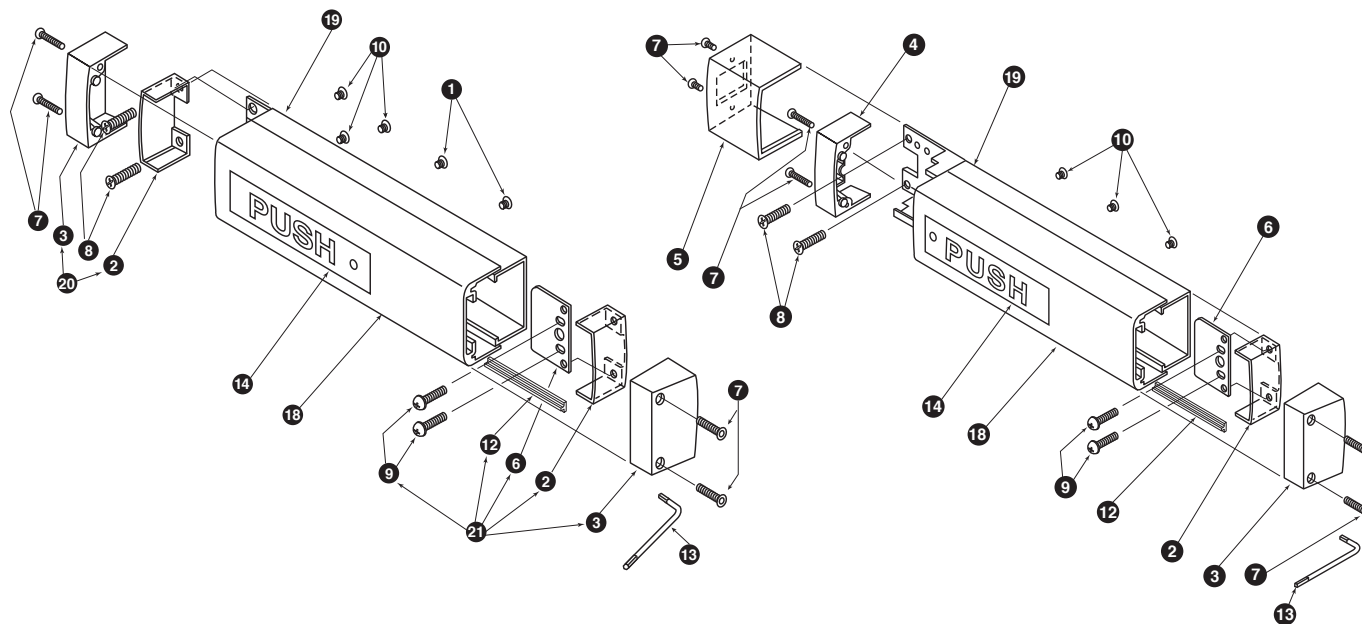


# 1490/1590 Series

## Pushbar

1490

1590



# 1490/1590 Series

## Pushbar

|    | Part No.   | Description                                    | Finish | Pkg Qty | List Price |
|----|------------|--|--------|---------|------------|
| 1  | SCREW.1028 | 10-32 1/4" UFPHMS Screw                        | -      | 10      | 21.00      |
| 2  | 4270106786 | 1490/1590 Pushbar Mounting Bracket             | -      | each    | 22.00      |
| 3  | 4270106787 | 1490/1590 Pushbar End Cap                      | P35    | each    | 42.00      |
| 4  | 4270106875 | 1590 Pushbar End Cap                           | P35    | each    | 18.00      |
| 5  | 4270106863 | 1590 Center Case Cover P35                     | P35    | each    | 26.00      |
| 6  | 4270106770 | 1490/1590 P/Bar Hingeside Mounting Plate       | -      | each    | 12.00      |
| 7  | SCREW.1050 | 8-32 1" FH Torx Screw (before September, 2004) | -      | 10      | 29.00      |
|    | SCREW.1143 | 8-18 1.1/4" FPH TF Typ 25                      | -      | 10      | 21.00      |
| 8  | SCREW.1282 | 12-24 1 1/2" UFPHMS Screw (1490)               | -      | 10      | 22.00      |
|    | SCREW.1066 | 12-24 1" UFPHMS Screw (1590)                   | -      | 10      | 22.00      |
| 9  | SCREW.1053 | 12-24 1" PPH W/SEMS EXT TF Screw               | -      | 10      | 23.00      |
| 10 | SCREW.1012 | 8-32 1/4" UFPHMS Screw                         | US32D  | 10      | 11.00      |
|    | SCREW.1055 | 8-32 1/4" UFPHMS Screw                         | BLACK  | 10      | 11.00      |
| 12 | BUMPER.103 | Pushbar Bumper 4' (2 ea. Required)             | -      | each    | 11.00      |
| 13 | KEY.102    | Short Arm Key                                  | -      | 10      | 33.00      |
| 14 | 4270107321 | 1490 RHR/1590 LHR Push Label                   | BLACK  | each    | 26.00      |
|    | 4270107323 | 1490 LHR/1590 RHR Push Label                   | BLACK  | each    | 26.00      |
|    | 4270107320 | 1490 RHR/1590 LHR Push Label                   | GOLD   | each    | 26.00      |
|    | 4270107322 | 1490 LHR/1590 RHR Push Label                   | GOLD   | each    | 26.00      |

Prices subject to change without notice

## 1490/1590 Series (continued)

## Pushbar

|    | Part No.   | Description                     | Finish | Pkg Qty | List Price |
|----|------------|---------------------------------|--------|---------|------------|
| 18 | 4270107027 | 1490 Pushbar 36"                | US28   | each    | 102.00     |
|    | 4270107028 | 1490 Pushbar 36"                | DC13   | each    | 108.00     |
|    | 4270107029 | 1490 Pushbar 36"                | DC35   | each    | 108.00     |
|    | 4270107685 | 1490 Pushbar 36"                | US3    | each    | 1057.00    |
|    | 4270107689 | 1490 Pushbar 36"                | US4    | each    | 1057.00    |
|    | 4270107686 | 1490 Pushbar 36"                | US10   | each    | 1057.00    |
|    | 4270107691 | 1490 Pushbar 36"                | US10B  | each    | 1108.00    |
|    | 4270107687 | 1490 Pushbar 36"                | US14   | each    | 1108.00    |
|    | 4270107688 | 1490 Pushbar 36"                | US15   | each    | 1108.00    |
| 18 | 4270107031 | 1490 Pushbar 48"                | US28   | each    | 110.00     |
|    | 4270107032 | 1490 Pushbar 48"                | DC13   | each    | 115.00     |
|    | 4270107033 | 1490 Pushbar 48"                | DC35   | each    | 115.00     |
|    | 4270107703 | 1490 Pushbar 48"                | US3    | each    | 1064.00    |
|    | 4270107707 | 1490 Pushbar 48"                | US4    | each    | 1064.00    |
|    | 4270107704 | 1490 Pushbar 48"                | US10   | each    | 1064.00    |
|    | 4270107709 | 1490 Pushbar 48"                | US10B  | each    | 1110.00    |
|    | 4270107705 | 1490 Pushbar 48"                | US14   | each    | 1110.00    |
|    | 4270107706 | 1490 Pushbar 48"                | US15   | each    | 1110.00    |
| 18 | 4270107091 | 1590 Pushbar 36"                | US28   | each    | 110.00     |
|    | 4270107092 | 1590 Pushbar 36"                | DC13   | each    | 115.00     |
|    | 4270107093 | 1590 Pushbar 36"                | DC35   | each    | 115.00     |
|    | 4270107712 | 1590 Pushbar 36"                | US3    | each    | 1057.00    |
|    | 4270107716 | 1590 Pushbar 36"                | US4    | each    | 1057.00    |
|    | 4270107713 | 1590 Pushbar 36"                | US10   | each    | 1057.00    |
|    | 4270107718 | 1590 Pushbar 36"                | US10B  | each    | 1113.00    |
|    | 4270107714 | 1590 Pushbar 36"                | US14   | each    | 1113.00    |
|    | 4270107715 | 1590 Pushbar 36"                | US15   | each    | 1113.00    |
| 18 | 4270107095 | 1590 Pushbar 48"                | US28   | each    | 126.00     |
|    | 4270107096 | 1590 Pushbar 48"                | DC13   | each    | 129.00     |
|    | 4270107097 | 1590 Pushbar 48"                | DC35   | each    | 129.00     |
|    | EXT.255    | 1590 Pushbar 48"                | US3    | each    | 1075.00    |
|    | EXT.259    | 1590 Pushbar 48"                | US4    | each    | 1075.00    |
|    | EXT.256    | 1590 Pushbar 48"                | US10   | each    | 1075.00    |
|    | EXT.261    | 1590 Pushbar 48"                | US10B  | each    | 1127.00    |
|    | EXT.257    | 1590 Pushbar 48"                | US14   | each    | 1127.00    |
|    | EXT.258    | 1590 Pushbar 48"                | US15   | each    | 1127.00    |
| 19 | 4270107034 | 1490 Channel 36"                | US28   | each    | 102.00     |
|    | 4270107035 | 1490 Channel 36"                | DC13   | each    | 108.00     |
|    | 4270107036 | 1490 Channel 36"                | DC35   | each    | 108.00     |
| 19 | 4270107038 | 1490 Channel 48"                | US28   | each    | 110.00     |
|    | 4270107039 | 1490 Channel 48"                | DC13   | each    | 115.00     |
|    | 4270107040 | 1490 Channel 48"                | DC35   | each    | 115.00     |
| 19 | 4270107587 | 1590 Channel 36"                | US28   | each    | 126.00     |
|    | 4270107588 | 1590 Channel 36"                | DC13   | each    | 129.00     |
|    | 4270107589 | 1590 Channel 36"                | DC35   | each    | 129.00     |
| 19 | 4270107591 | 1590 Channel 48"                | US28   | each    | 136.00     |
|    | 4270107592 | 1590 Channel 48"                | DC13   | each    | 143.00     |
|    | 4270107593 | 1590 Channel 48"                | DC35   | each    | 143.00     |
| 20 | ECAP.111   | 1490 Lockside End Cap Assembly  | P35    | each    | 33.00      |
| 21 | ECAP.103   | 1490 Hingeside End Cap Assembly | P35    | each    | 38.00      |
|    | PKG.102    | 1490 Mounting Package           | US28   | each    | 20.00      |
|    | PKG.104    | 1490 Mounting Package           | DC35   | each    | 21.00      |
|    | PKG.105    | 1590 Mounting Package           | -      | each    | 20.00      |

**REFERENCE NOTES:**For complete pushbar assemblies refer to page 95.

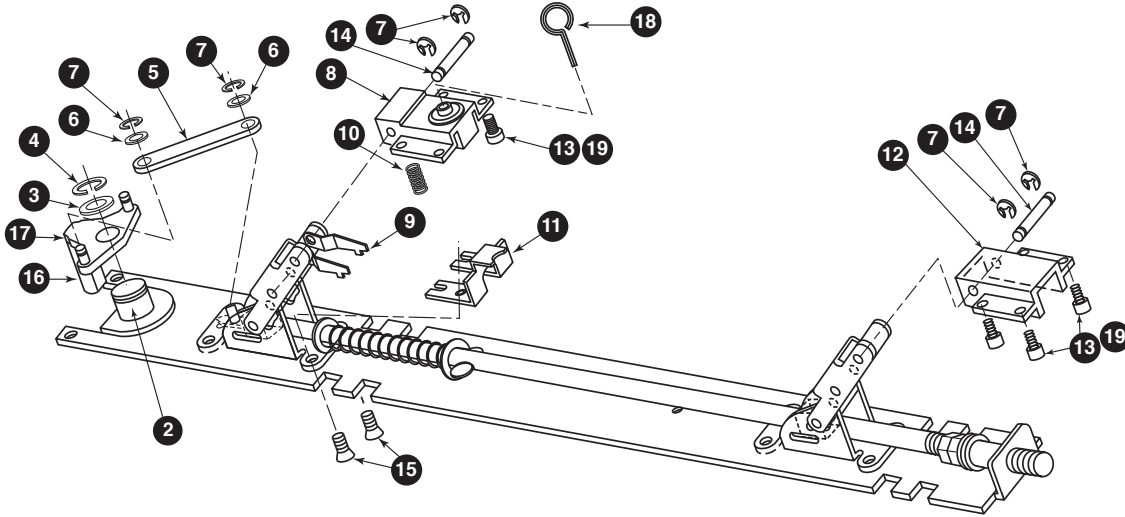
1490 Mounting Package includes part numbers 1, 7, 8, 13 on page 92 and a hex dogging key.  
1590 Mounting Package includes part numbers 6, 7, 8, 9, 13 on page 92 and a hex dogging key.

Prices subject to change without notice

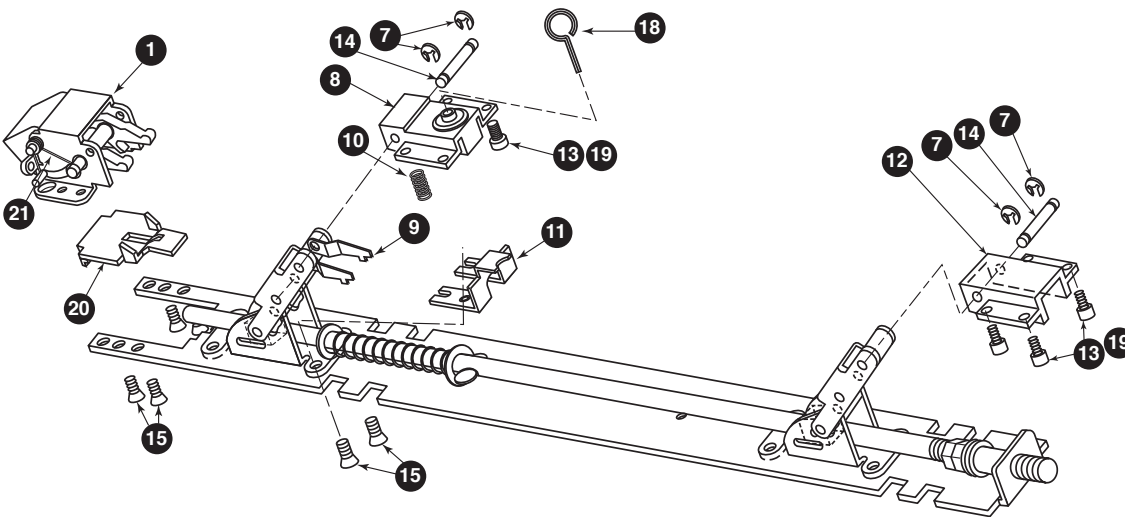
# 1490/1590 Series

## Activating Baseplate Assembly

### 1490



### 1590



Prices subject to change without notice

# 1490/1590 Series

## Activating Baseplate Assembly

|    | Part No.   | Description                             | Finish | Pkg Qty | List Price |
|----|------------|---|--------|---------|------------|
| 1  | 4270107603 | 1590 Latchbolt Assembly                 | -      | each    | 110.00     |
| 2  | 4270106769 | Lift Lever Axle                         | -      | each    | 12.00      |
| 3  | WASHER.102 | Lift Lever Washer                       | -      | 10      | 19.00      |
| 4  | RRING.104  | Retaining Ring .500"                    | -      | 10      | 13.00      |
| 5  | 4270106773 | Link                                    | -      | each    | 11.00      |
| 6  | WASHER.103 | Link Washer                             | -      | 10      | 19.00      |
| 7  | RRING.105  | Retaining Ring .188"                    | -      | 10      | 11.00      |
| 8  | 4270107046 | Dogging Bracket Assembly                | -      | each    | 63.00      |
| 9  | 971659-79  | Dogging Clip                            | -      | each    | 11.00      |
| 10 | 4299101020 | Compression Spring                      | -      | each    | 9.00       |
| 11 | 971660-79  | Act. Rod Spring Stop CZNC               | -      | each    | 13.00      |
| 12 | 4270106977 | Clevis                                  | -      | each    | 87.00      |
| 13 | SCREW.1136 | 8-32 3/8" PPHMS w/Sems                  | -      | 10      | 33.00      |
| 14 | AXLE.1007  | Clevis Assembly Axle                    | -      | 10      | 14.00      |
| 15 | SCREW.1043 | 10-32 3/8" UFPHMS Screw                 | -      | 10      | 14.00      |
| 16 | 4270106745 | Lift Lever                              | -      | each    | 19.00      |
| 17 | 4270106772 | Pivot Pin                               | -      | each    | 19.00      |
| 18 | KEY.10020  | Hex Dogging Key 5/32"                   | -      | 10      | 42.00      |
| 19 | WASHER.107 | #8 Washer Hi-Collar                     | -      | 10      | 12.00      |
| 20 | 4270106888 | 1590 Retractor-Sgl Dr 1 3/4"            | -      | each    | 14.00      |
|    | 4270107422 | 1590 Retractor-Sgl Dr 2 1/4"            | -      | each    | 14.00      |
|    | 4270107520 | 1590 Retractor-Pair w/Mullion 1 3/4" Dr | -      | each    | 14.00      |
|    | 4270107521 | 1590 Retractor-Pair w/Mullion 2 1/4" Dr | -      | each    | 14.00      |
| 21 | SPRING.127 | 1590 Latchbolt Spring                   | -      | 10      | 14.00      |

### 1490 Base Plate Assemblies

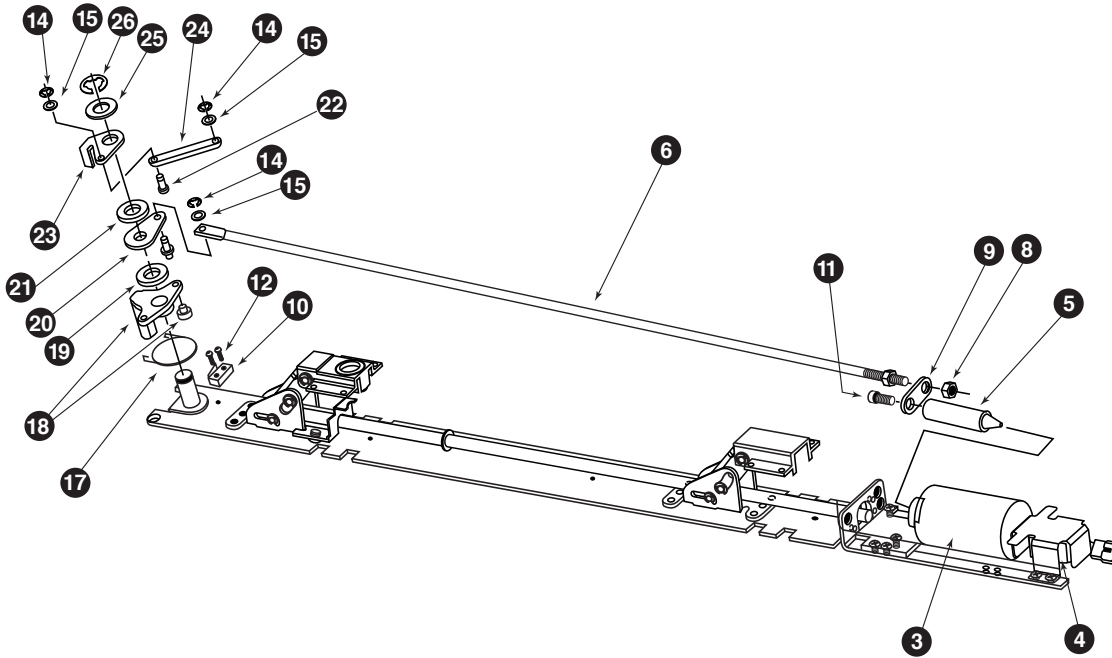
|  |            |                                 |   |      |        |
|--|------------|---------------------------------|---|------|--------|
|  | 4270107061 | 1490 Baseplate Assembly LHR 36" | - | each | 431.00 |
|  | 4270107048 | 1490 Baseplate Assembly LHR 48" | - | each | 482.00 |
|  | 4270107047 | 1490 Baseplate Assembly RHR 36" | - | each | 431.00 |
|  | 4270107060 | 1490 Baseplate Assembly RHR 48" | - | each | 482.00 |
|  | 4270107089 | 1590 Baseplate Assembly 36"     | - | each | 310.00 |
|  | 4270107090 | 1590 Baseplate Assembly 48"     | - | each | 363.00 |

Prices subject to change without notice

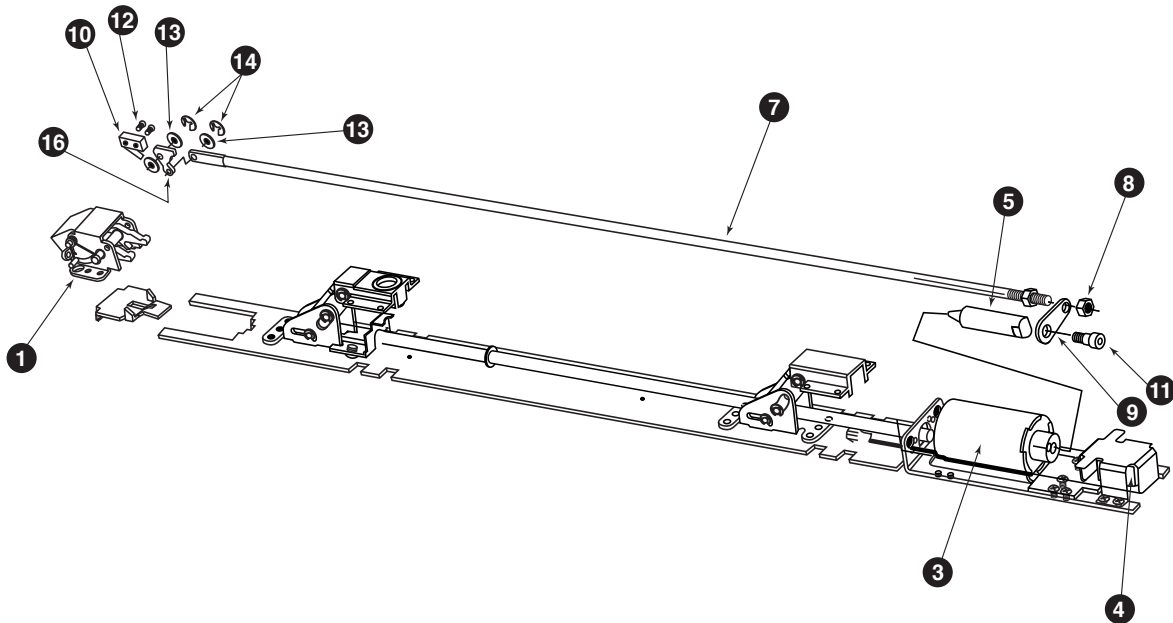
# EL1490/EL1590 Series

## Activating Baseplate Assembly

### EL1490



### EL1590



Prices subject to change without notice

**EL1490/EL1590 Series****Activating Baseplate Assembly**

|    | Part No.     | Description                        | Finish | Pkg Qty | List Price |
|----|--------------|------------------------------------|--------|---------|------------|
| 1  | 4270107623   | EL1590 Latchbolt Assembly 36"      | -      | each    | 325.00     |
|    | LATCHR.102   | EL1590 Latchbolt Assembly 48"      | -      | each    | 330.00     |
| 2  | 4270108763   | S1590 Latchbolt Assembly           | -      | each    | 242.00     |
| 3  | SOLENOID.142 | EL Solenoid                        | -      | each    | 224.00     |
| 4  | 050534-00    | EL Potted Circuit Breaker          | -      | each    | 219.00     |
| 5  | PLUNGER.101  | EL Solenoid Plunger                | -      | each    | 65.00      |
|    | 110388-00    | EL Cable Assembly (not shown)      | -      | each    | 35.00      |
| 6  | 4270107193   | EL1490 Pull Rod 36"                | -      | each    | 35.00      |
|    | 4270107361   | EL1490 Pull Rod 48"                | -      | each    | 42.00      |
| 7  | 4270107342   | EL1590 Push Rod 36"                | -      | each    | 42.00      |
|    | 4270107360   | EL1590 Push Rod 48"                | -      | each    | 54.00      |
| 8  | NUT.103      | 1/4-20 Hex Nut                     | -      | 10      | 6.00       |
| 9  | 4270107341   | EL1590 Link                        | -      | each    | 7.00       |
| 10 | SWITCH.1002  | Subminiature Switch Assembly 36"   | -      | each    | 61.00      |
|    | SWITCH.1004  | Subminiature Switch Assembly 48"   | -      | each    | 67.00      |
| 11 | SCREW.1061   | 1/4-20 29/32" Soc Shoulder Screw   | BLACK  | 10      | 33.00      |
|    | SCREW.1136   | 8-32 3/8" PPH w/Sems Machine Screw | -      | 10      | 33.00      |
| 12 | SCREW.1063   | 2-56 RHMS Screw                    | -      | 10      | 7.00       |
|    | SCREW.1065   | 8-32 1/4" PPH MS Typ 2A Screw      | -      | 10      | 6.00       |
| 14 | RRING.105    | Retaining Ring .188                | -      | 10      | 11.00      |
| 15 | WASHER.103   | Link Washer                        | -      | 10      | 19.00      |
| 16 | LEVER.103    | EL1590 Release Lever Assembly      | -      | each    | 71.00      |
| 17 | 4270107429   | EL1490 Lift Lever Spring-LHR       | -      | each    | 9.00       |
|    | 4270107430   | EL1490 Lift Lever Spring-RHR       | -      | each    | 9.00       |
| 18 | LEVER.104    | EL1490 Lift Lever Sub-Assembly LHR | -      | each    | 33.00      |
|    | LEVER.105    | EL1490 Lift Lever Sub-Assembly RHR | -      | each    | 33.00      |
| 19 | 4270107194   | EL Lift Lever Spacer               | -      | each    | 13.00      |
| 20 | 4270107192   | EL1490 Pivot Bracket               | -      | each    | 9.00       |
| 21 | 4270109142   | Lift Lever Washer                  | -      | each    | 12.00      |
| 22 | 4270107186   | Link Pin                           | -      | each    | 8.00       |
| 23 | 4270107188   | EL1490 Lift Lever Bracket-LHR      | -      | each    | 9.00       |
|    | 4270107189   | EL1490 Lift Lever Bracket-RHR      | -      | each    | 9.00       |
| 24 | 4270106773   | 1490 Link                          | -      | each    | 11.00      |
| 25 | WASHER.102   | Lift Lever Washer                  | -      | 10      | 19.00      |
| 26 | RRING.104    | Retaining Ring .500                | -      | 10      | 13.00      |
| 27 | 4270107363   | Pivot Pin YZNC STL                 | -      | each    | 3.00       |

**S1490/S1590 Baseplate Assemblies**

|  |             |                                  |   |      |        |
|--|-------------|----------------------------------|---|------|--------|
|  | BASEASY.210 | S1490 Baseplate Assembly LHR 36" | - | each | 857.00 |
|  | BASEASY.211 | S1490 Baseplate Assembly LHR 48" | - | each | 908.00 |
|  | BASEASY.208 | S1490 Baseplate Assembly RHR 36" | - | each | 857.00 |
|  | BASEASY.209 | S1490 Baseplate Assembly RHR 48" | - | each | 908.00 |
|  | BASEASY.220 | S1590 Baseplate Assembly 36"     | - | each | 736.00 |
|  | BASEASY.221 | S1590 Baseplate Assembly 48"     | - | each | 789.00 |

**EL1490/EL1590 Baseplate Assemblies**

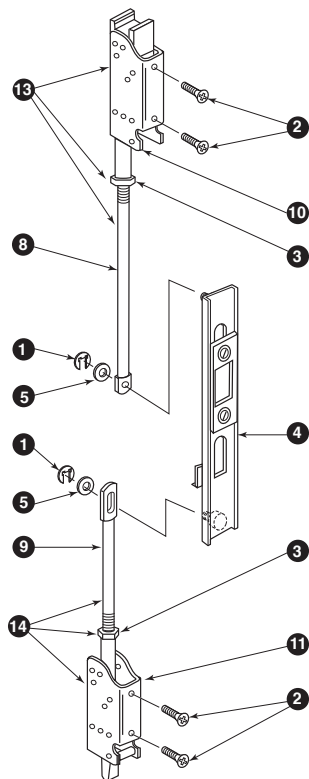
|  |          |                               |   |      |        |
|--|----------|-------------------------------|---|------|--------|
|  | KIT.1011 | EL1490 Conversion Kit LHR 36" | - | each | 934.00 |
|  | KIT.1010 | EL1490 Conversion Kit RHR 36" | - | each | 934.00 |
|  | KIT.1013 | EL1490 Conversion Kit LHR 48" | - | each | 934.00 |
|  | KIT.1012 | EL1490 Conversion Kit RHR 48" | - | each | 934.00 |
|  | KIT.1008 | EL1590 Conversion Kit 36"     | - | each | 934.00 |
|  | KIT.1009 | EL1590 Conversion Kit 48"     | - | each | 934.00 |

Prices subject to change without notice

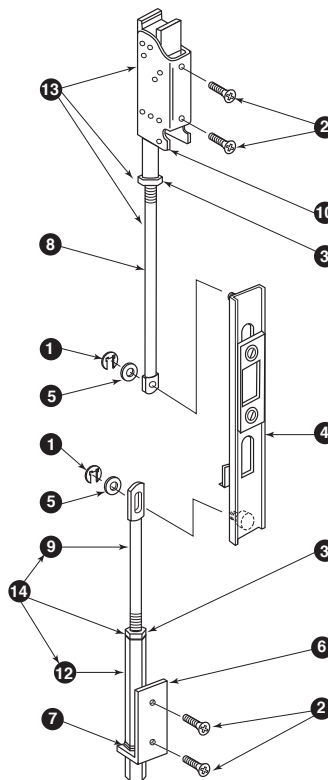
# 1490 Series

## Rod Assembly

### Standard Rod Assembly



### EL Rod Assembly



| Part No. | Description | Finish                                       | Pkg Qty | List Price |        |
|----------|-------------|--|---------|------------|--------|
| 1        | RRING.103   | Retaining Ring .250                          | -       | 25         | 11.00  |
| 2        | SCREW.1028  | 10-32 1/4" UFPH Screw                        | US32D   | 10         | 21.00  |
|          | SCREW.1029  | 10-32 1/4" UFPH Screw                        | BLACK   | 10         | 21.00  |
| 3        | NUT.101     | 3/8-24 Jam Nut                               | -       | 10         | 21.00  |
| 4        | 4270106796  | Lift Bracket Assembly                        | -       | each       | 57.00  |
|          | 4270107495  | EL Lift Bracket Assembly                     | -       | each       | 67.00  |
| 5        | WASHER.116  | Rod Washer                                   | -       | 10         | 14.00  |
| 6        | 4270108426  | EL Hex Rod Guide Assembly                    | US32D   | each       | 42.00  |
|          | GUIDE.101   | EL Hex Rod Guide Assembly                    | P35     | each       | 42.00  |
| 7        | BUSH.107    | EL Hex Bushing                               | -       | 10         | 21.00  |
|          | GUIDE.102   | HH Hex Rod Guide Assembly                    | P35     | each       | 60.00  |
| 8        | 4270106776  | Top Rod 35.000"                              | -       | each       | 54.00  |
| 9        | 4270106775  | Standard Bottom Rod 31.625"                  | -       | each       | 54.00  |
|          | 4270109003  | EL Bottom Rod 34.625"                        | -       | each       | 62.00  |
| 10       | 4270105926  | EL Top Latch                                 | -       | each       | 136.00 |
|          | 4270101806  | SU Top Latch                                 | -       | each       | 101.00 |
|          | 4270100521  | RL Bottom Latch                              | -       | each       | 87.00  |
| 12       | 4270101830  | Hex Bottom Bolt                              | -       | each       | 38.00  |
| 13       | RODASY.110  | 1490 Top Rod Assembly 7' Dr                  | -       | each       | 159.00 |
|          | 4270109078  | EL1490 Top Rod Assembly 7' Dr                | -       | each       | 193.00 |
| 14       | RODASY.112  | 1490 Bottom Rod Assembly                     | -       | each       | 96.00  |
|          | 4270109077  | EL1490 Bottom Rod Assembly                   | -       | each       | 104.00 |
| 15       | 4270106782  | 1490 Top/Btm Rod Assembly 7' Dr              | -       | each       | 310.00 |
|          | 4270107497  | EL1490 Top/Btm Rod Assembly 7' Dr            | -       | each       | 345.00 |
|          | 4270107791  | 1490 Extension Rod Kit over 7' up to 10' Drs | -       | each       | 113.00 |

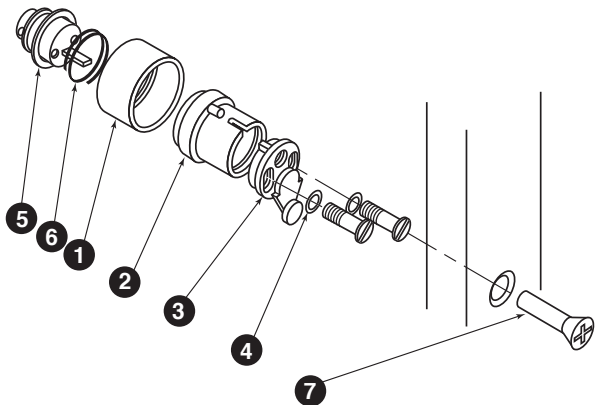
Prices subject to change without notice



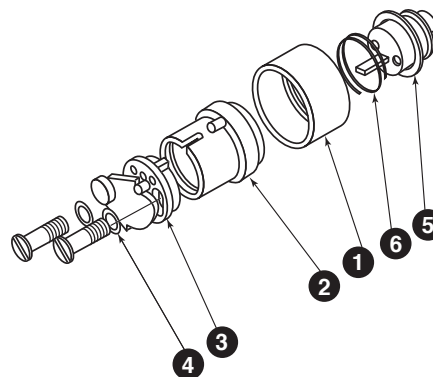
# 1490/1590 Series

## Cylinder Assembly

**1490**



**1590**



## CAM ASSEMBLY



**Hold Back**



**Night Latch**

|            | Part No.   | Description                            | Finish                        | Pkg Qty | List Price |
|------------|------------|--|-------------------------------|---------|------------|
| 1          | 4270107213 | Cylinder Collar 1.00"                  | P28                           | each    | 21.00      |
|            | 4270107214 | Cylinder Collar 1.00"                  | P13                           | each    | 21.00      |
|            | 4270107215 | Cylinder Collar 1.00"                  | P35                           | each    | 21.00      |
|            | 4270109005 | Cylinder Collar 7 Pin 1.25"            | P28                           | each    | 33.00      |
|            | 4270109006 | Cylinder Collar 7 Pin 1.25"            | P13                           | each    | 33.00      |
|            | 4270109007 | Cylinder Collar 7 Pin 1.25"            | P35                           | each    | 33.00      |
|            | 2          | 4270107286                             | Cylinder Tube w/Pin 1 3/4" DR | -       | each       |
| 4270107833 |            | Cylinder Tube w/Pin 2" DR              | -                             | each    | 59.00      |
| 4270107787 |            | Cylinder Tube w/Pin 2 1/4" DR          | -                             | each    | 59.00      |
| 4270109009 |            | Cylinder Tube w/Pin 7 Pin 1 3/4" DR    | -                             | each    | 59.00      |
| 4270109190 |            | Cylinder Tube w/Pin 7 Pin 2" DR        | -                             | each    | 59.00      |
| 4270109630 |            | HH Cylinder Tube w/Pin 2 3/8" DR       | -                             | each    | 42.00      |
| CTUBE.232  |            | HH Cylinder Tube w/Pin 7 Pin 2 3/8" DR | -                             | each    | 65.00      |
| 3          | 4270107268 | 1490 NL Cam Assembly                   | -                             | each    | 29.00      |
|            | 4270107270 | 1490 HB Cam Assembly                   | -                             | each    | 29.00      |
|            | 4270107283 | 1590 NL Cam Assembly                   | -                             | each    | 29.00      |
|            | 4270107285 | 1590 HB Cam Assembly                   | -                             | each    | 29.00      |
| 4          | WASHER.108 | Cylinder Adaptor Washer                | -                             | 10      | 13.00      |
| 5          | WASHER.109 | Cylinder Lock Washer                   | CZNC                          | 10      | 19.00      |
|            | WASHER.110 | Cylinder Lock Washer                   | BLACK                         | 10      | 19.00      |
| 6          | SPRING.105 | Cylinder Collar Spring                 | -                             | 10      | 9.00       |
| 7          | SCREW.1105 | 12-24 1.1/2" UFPHMS Screw              | CZNC                          | 10      | 22.00      |
|            | SCREW.1099 | 12-24 1.1/2" UFPHMS Screw              | BLACK                         | 10      | 21.00      |

Prices subject to change without notice