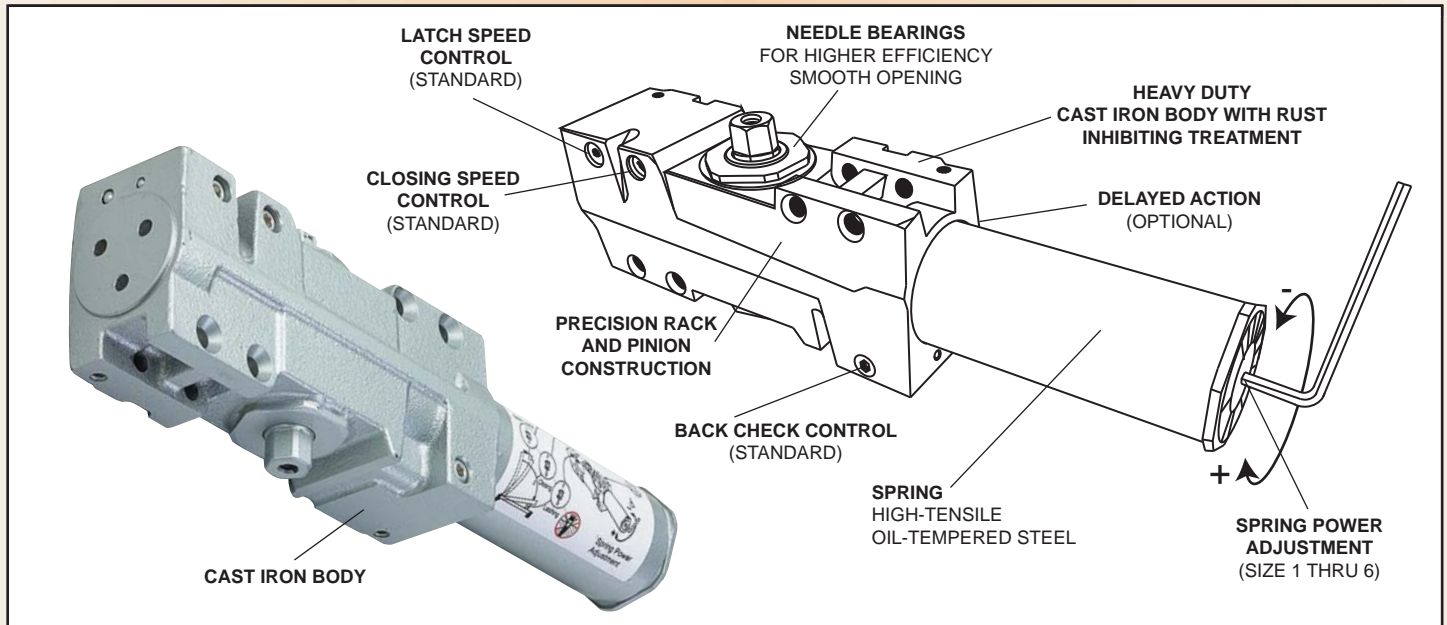




Lifetime  
Warranty  
**BHMA**  
CERTIFIED

**MEETS**  
The Buy American Act

**\* SAME HOLE PATTERN AS LCN 4040/4041**



- CAL-ROYAL'S FINEST HYDRAULIC DOOR CLOSER SERIES MEETING THE HIGHEST INDUSTRY STANDARDS, GRADE 1
- HEAVY-DUTY DOUBLE LEVER ARM WITH EXTRA SMOOTH ACTION FULL FEATURE MULTI-SIZE COMMERCIAL DOOR CLOSER FOR USE IN OFFICE BUILDINGS, SHOPPING CENTERS AND OTHER COMMERCIAL BUILDINGS
- STANDARD BACK-CHECK FUNCTION
- FULL PLASTIC COVER IS STANDARD FEATURE. (METAL OPTIONAL)
- OPTIONAL PLATED METAL DECORATIVE COVERS
- OPTIONAL ADJUSTABLE DELAYED ACTION / BARRIER FREE FOR HANDICAPPED OR ELDERLY

## CR441 Series Door Closer

Full Cover Multi-size

Full Feature Closer

ANSI 156.4 Grade 1

UL Listed, Conforms to Standards  
UL10C and UBC7-2-1997

BHMA Certified Lifetime Warranty



UL Listed, Conforms to Standards  
UL10C and UBC-7-2-1997



**CAL-ROYAL**  
P R O D U C T S , I N C .

# CR441 Series Door Closer



Conforms to Standards  
UL10C and UBC-7-2-1997

## FEATURES


- Universal application. Non-handed for standard, top-jamb or parallel arm installation
- Non-sized, 1 thru 6. FACTORY PRESET SIZE 3 meets ADA
- Door weights: 30-260 lbs (All Models)
- Hydraulic door closer with standard adjustable back-check function
- Adjustable closing and latching speed by two separate regulating valves
- Optional adjustable delayed action (DA) 
  - Preset at the factory for approximately 20 seconds, between 70° and 0°.
  - Delay time easily adjusted up to 1 minute. CR441 DA
- Standard full plastic cover
- Self tapping screws and closer gauge for easy adjustment is standard feature
- Available in Alum, Duro, Gold, US3, 26, 26D, 10B and 32D

## ACCESSORIES

- Optional, parallel hold-open adjustable arm (non-handed). **CR3049HO**
- Non-handed forged solid steel parallel arm for extra abusive installations. **CR3077HDAR**
- Optional, non-handed parallel arm features solid forged steel main arm and forearm with stop in soffit shoe. **CR3077SPAS**
- Optional, non-handed parallel arm features solid forged steel main arm and forearm provides hold-open function with templated stop/hold-open points. Handle controls hold-open function. **CR3049HOSRPS**
- Optional, non-handed Super rigid parallel arm with spring loaded stop in soffit shoe. **CR3077SPRING**
- Optional, non-handed Super rigid parallel arm stopper hold open, non-handed with spring loaded stop in soffit shoe. Handle controls hold open function. **3049HOSPRING**
- Drop plate used where top rail is less than 3 3/4". **CR18**
- Drop plate for top jamb where face is less than 3 1/2". **CR18TJ**
- Drop plate for top jamb mounted closer flush with top of head frame face in flush ceiling conditon. Plate requires 1 3/4" minimum head frame. **CR18G**
- Drop plate for parallel arm mounting top rail is less than 5 1/2" measured from stop. Plate requires 2" minimum top rail. **CR18PA**
- Optional Metal cover. Including Stainless Steel

## REDUCED OPENING FORCE CR441 DOOR CLOSERS

**IMPORTANT** Any door closer, including those certified by BHMA to conform to **ANSI Standard A156.4** that is chosen, installed and adjusted based on ADA or other reduced opening force requirement may not provide sufficient power to close and latch a door. Location of door could also affect action and efficiency of door closer.

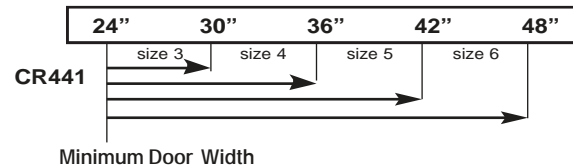
	<b>DOOR WIDTH</b>	<b>36"</b>	<b>42"</b>	<b>48"</b>
	**8.5 lbs. **5.0 lbs.	CR441 CR441	CR441 CR441	CR441 CR441

\*\*Maximum Opening Force

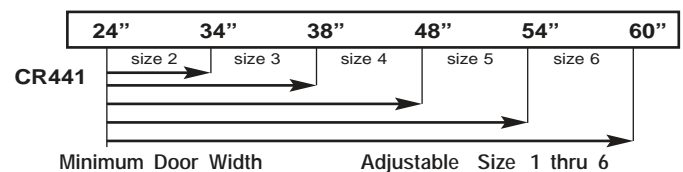
## TABLE OF SIZES

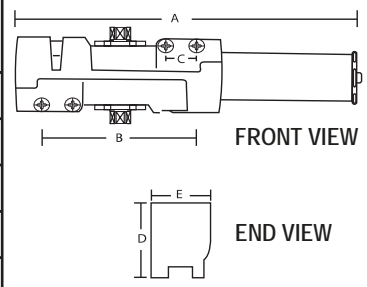
Closing power of CR441 Series closers may be adjusted 50%.  
→ Shows recommended range of door width for closer size.

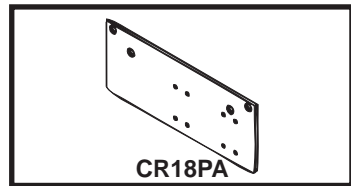
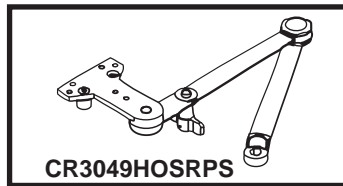
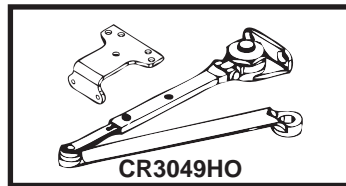
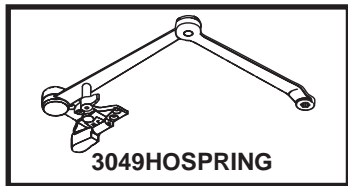
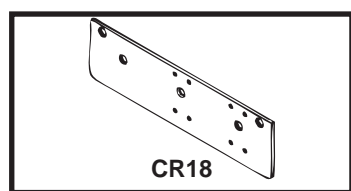
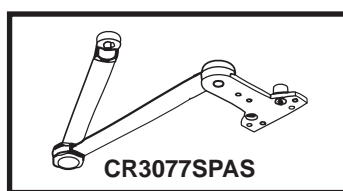
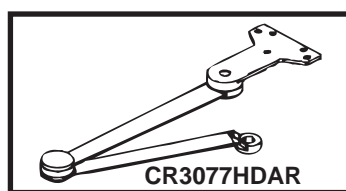
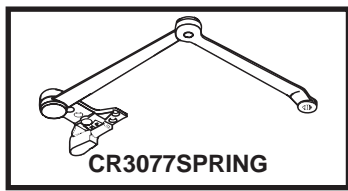
### EXTERIOR (and VESTIBULE) DOOR WIDTH



### INTERIOR DOOR WIDTH



DESCRIPTION	SIZE	
A. Length of Closer Body	11"	
B. Horizontal Mounting Holes	5"	
C. Vertical Mounting Holes	1"	
D. Width of Closer Body	2 3/4"	
E. Projection from Door	2"	



## CROSS REFERENCES

CAL-ROYAL	AMERICAN EAGLE	CORBIN RUSSWIN	DESIGN HARDWARE	DORMA	DORO-O-MATIC	HAGER	LCN	NORTON	SARGENT	YALE
CR441	7100	DC3000/DC6200	416	8900	SC70	5100	4041	9500	281 / 350	4400

The data on this chart represents our judgement of which are most similar. Since no product is exactly alike the information has been obtained from trade sources. It is not guaranteed nor represented that any specific product exactly equals any other product. Door closer body size may be different.



6605 Flotilla St. Commerce, CA 90040 USA  
Tel: (323) 888-6601 ♦ Fax: (323) 888-6699  
Website: www.cal-royal.com ♦ Email: sales@cal-royal.com

Ver. 2.0, Rev. 11/12  
©2012 CAL-ROYAL