



24743411

# 230L/L-BE

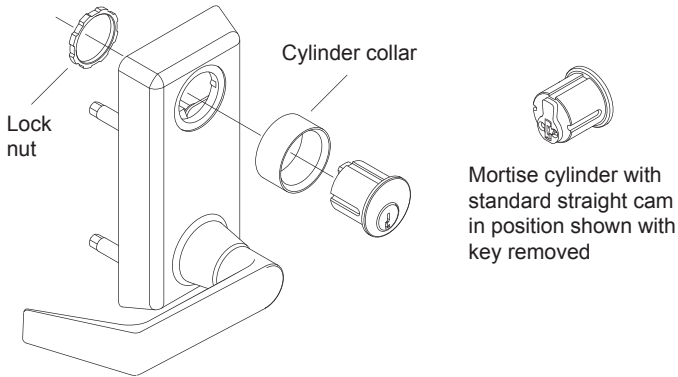
# VON DUPRIN®

Lever Control

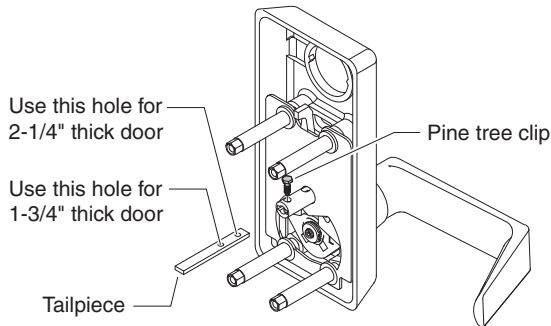
Installation Instructions

**1** Change handing if required (see instructions on next page).

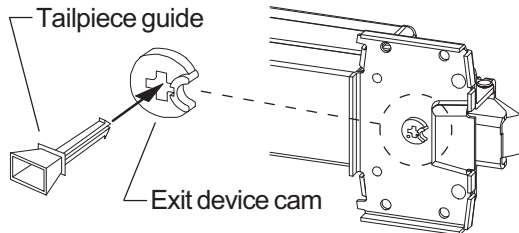
**2** Install cylinder (L lever control only).



**3** Install tailpiece. Consult factory for doors other than 1-3/4" or 2-1/4" thick.



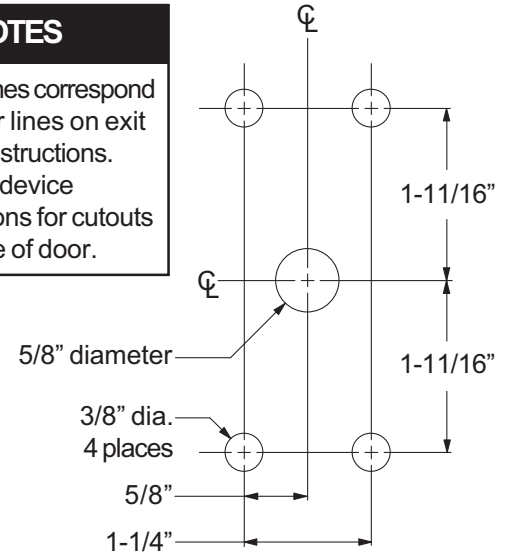
**4** Install tailpiece guide in exit device cam.



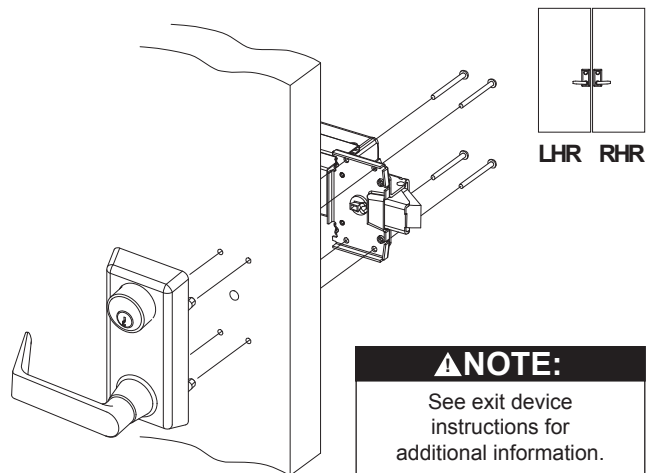
**5** Prepare door for lever control installation.

### NOTES

- Center lines correspond to center lines on exit device instructions.
- See exit device instructions for cutouts on inside of door.



**6** Install lever control.



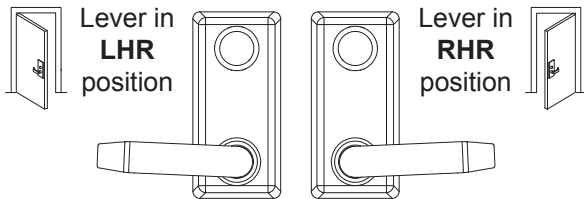
## To Change Handing or Replace Broken Shear Pin

### 1 Check lever position (Figure 1).

1a To change handing or replace broken shear pin, complete Steps 2 through 7.

#### NOTE:

The replaceable shear pin breaks to protect the assembly from damage when excessive torque is applied.



**Figure 1**

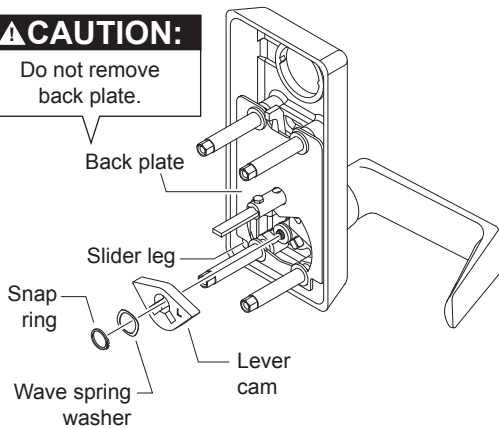
### 2 Remove lever cam.

2a Remove snap ring and wave spring washer.

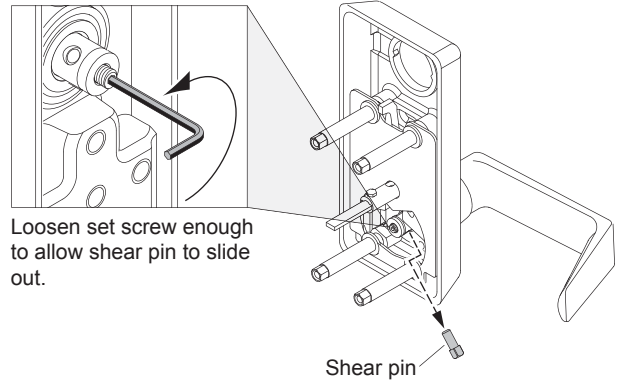
2b Use screwdriver to push up on slider leg to remove preload from lever cam and remove lever cam.

#### CAUTION:

Do not remove back plate.



3 Remove shear pin. If shear pin is broken, make sure to remove all pieces of broken shear pin.

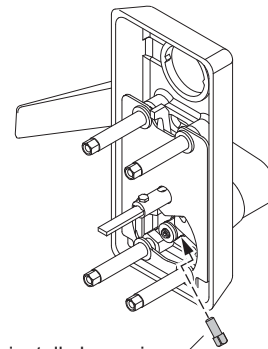


Loosen set screw enough to allow shear pin to slide out.

Shear pin

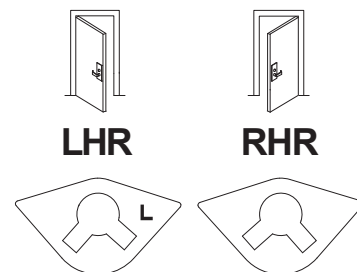
4 Rotate lever to LHR or RHR position (Figure 1).

5 Install shear pin.



Reinstall shear pin and tighten set screw

6 Install lever cam with correct handing.



"L" is visible for LHR

7 Reinstall wave spring washer and snap ring.

**Customer Service**

1-877-671-7011 [www.allegion.com/us](http://www.allegion.com/us)



© Allegion 2014  
Printed in U.S.A.  
24743411 Rev.02/14-a